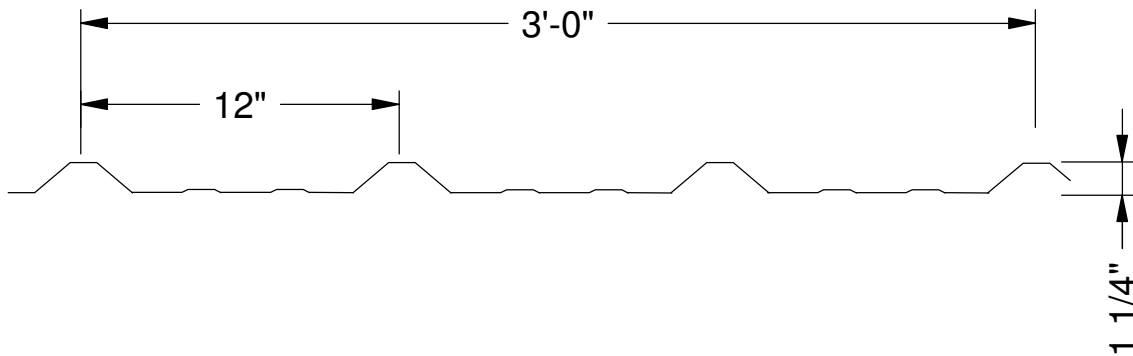
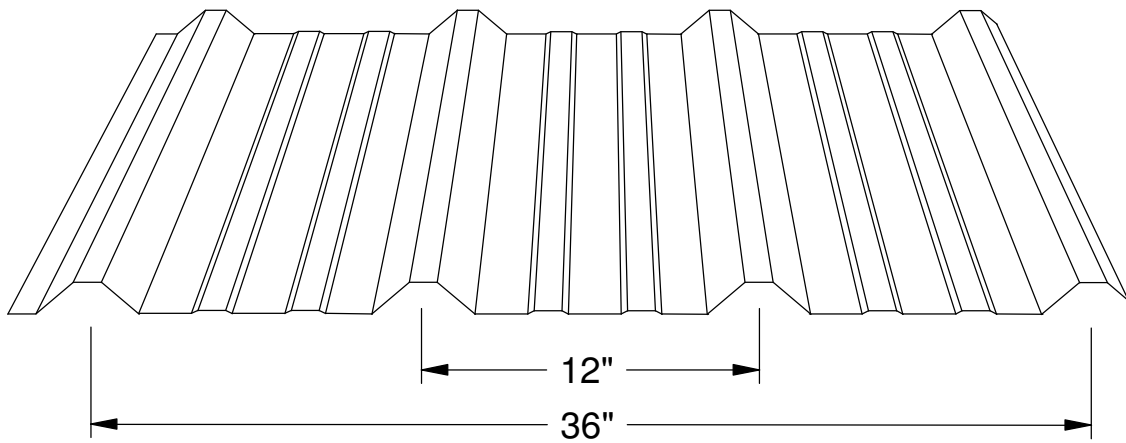


R-Panel



26 Ga Painted Siliconized Polyester-15 Colors
26 Ga Galvalume Plus

Minimum Slope 1:12



MANUFACTURERS RECOMMENDED METAL ROOFING

FASTENING GUIDE FOR R-PANEL

5424 METRO PARK DRIVE
TUSCALOOSA, AL. 35405

P: (205)759-5420

F: (205)345-0639

WWW.METRO-METALS.COM

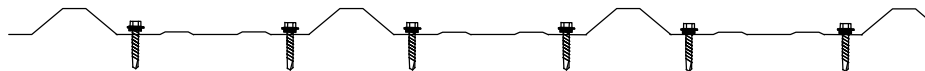
ANNA@METRO-METALS.COM

WITH <35' MEAN ROOF HEIGHT-3/12 TO 7/12 PITCH

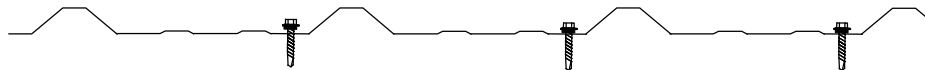
FASTENING SCHEDULE FOR FASTNER ROW SPACING

	TYPE	PLACEMENT TO	FASTNER SIZE	WIND SPEED ZONE					
				100-110		120-130		140-150	
				ON CENTER SPACING	TRIM AREAS	ON CENTER SPACING	TRIM AREAS	ON CENTER SPACING	TRIM AREAS
ZONE 1	WOOD GRIP SCREW	WOOD	#10x1-1/2"	36"	18"	24"	12"	24"	12"
	METAL FAST STITCH	16 AND 18 GA STEEL	#12x1-1/4"	36"	18"	24"	12"	24"	12"
20 GA STEEL		#14x7/8"							
ZONE 2&3	WOOD GRIP SCREW	WOOD	#10x1-1/2"	36"	18"	24"	12"	16"	8"
	METAL FAST STITCH	16 AND 18 GA STEEL	#12x1-1/4"	36"	18"	24"	12"	16"	8"
20 GA STEEL		#14x7/8"							

TRIM AREAS REFER TO THE FASTNERS FOR THE RIDGE, HIP AND RAKE TRIM.



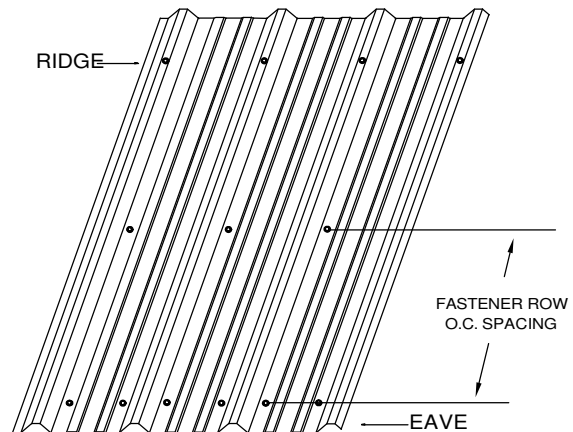
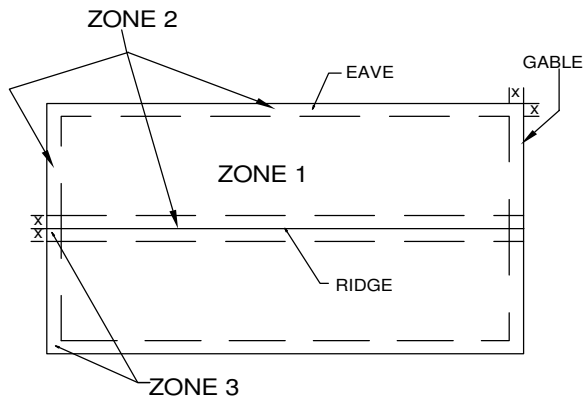
FASTENER PLACEMENT FOR EAVES AND ENDLAPS



FASTENER PLACEMENT FOR INTERMEDIATE ROWS



FASTENER PLACEMENT FOR RIDGE



WIDTH OF EDGE STRIP "x" IS THE SMALLER OF
 1. 10% OF LEAST HORIZONTAL DIMENSION OF BUILDING.
 2. 40% OF EAVE HEIGHT BUT NOT LESS THAN:
 1) 4% OF LEAST HORIZONTAL DIMENSION OF BUILDING
 2) THREE FEET

Please note that the drawings in this booklet are for illustration purposes only and may not apply to all buildings and installations.

Metro Metals

R-Panel Standard Trim

(205) 759-5420



5424 Metro Park Dr-Tuscaloosa, AL 35405

	Trim Item	Gauge	Finish
	R-Panel 20" Ridge	26	Acrylic Coated Galvalume Siliconized Polyester
	R-Panel 14" Ridge	26	Acrylic Coated Galvalume Siliconized Polyester
	R-Panel Valley	26	Acrylic Coated Galvalume Siliconized Polyester
	R-Panel Transition	26	Acrylic Coated Galvalume Siliconized Polyester
	R-Panel J-Channel	26	Acrylic Coated Galvalume Siliconized Polyester
	R-Panel Die Formed Ridge	26	Acrylic Coated Galvalume Siliconized Polyester

Please note that the drawings in this booklet are for illustration purposes only and may not apply to all buildings and installations.

Metro Metals

R-Panel Standard Trim

(205) 759-5420



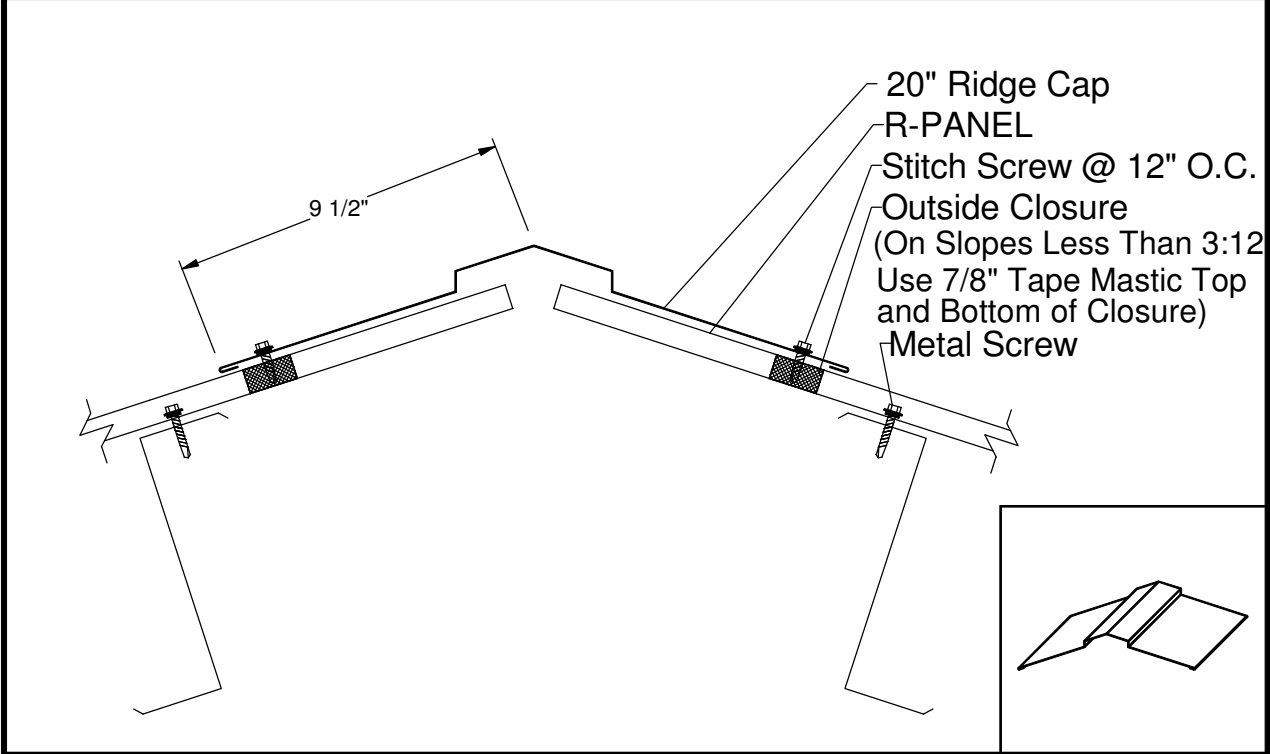
5424 Metro Park Dr-Tuscaloosa, AL 35405

	Trim Item	Gauge	Finish
	R-Panel Highside	26	Acrylic Coated Galvalume Siliconized Polyester
	R-Panel Sidewall	26	Acrylic Coated Galvalume Siliconized Polyester
	R-Panel Eave	26	Acrylic Coated Galvalume Siliconized Polyester
	R-Panel Corner	26	Acrylic Coated Galvalume Siliconized Polyester
	R-Panel MBCI Gutter	26	Acrylic Coated Galvalume Siliconized Polyester

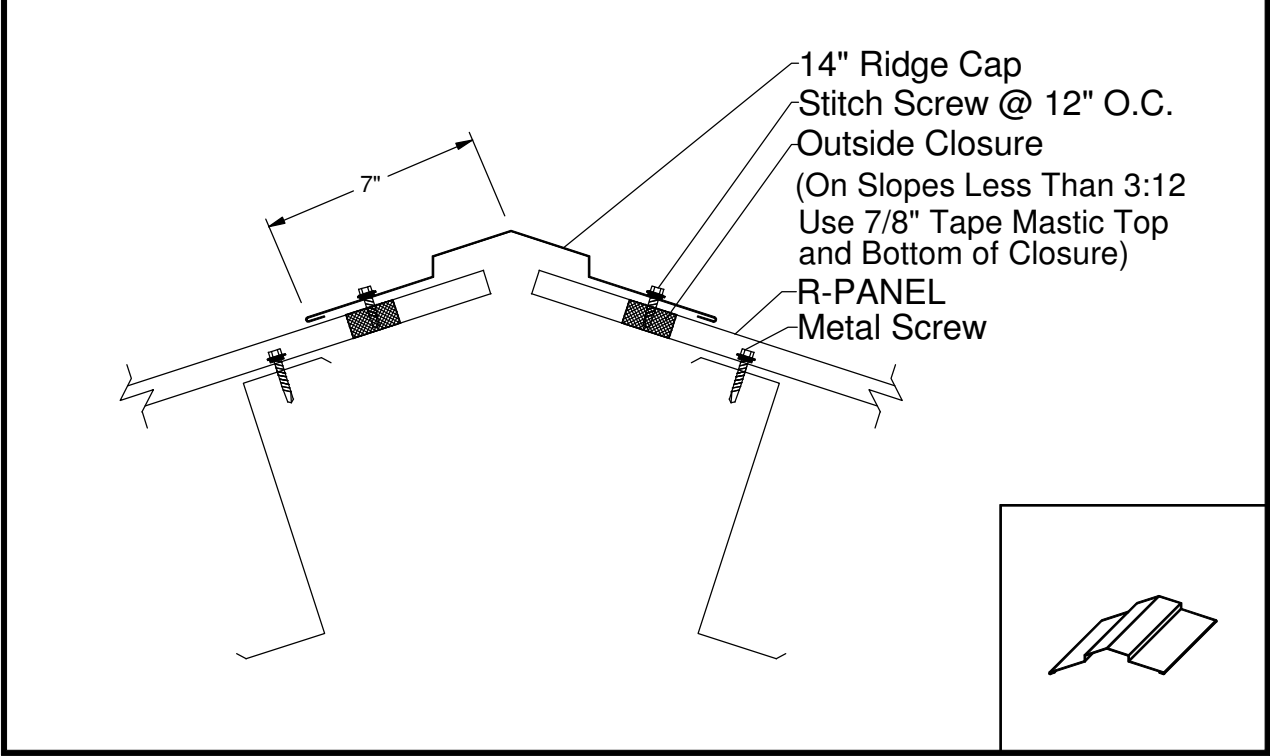
Please note that the drawings in this booklet are for illustration purposes only and may not apply to all buildings and installations.



R-PANEL 20" RIDGE

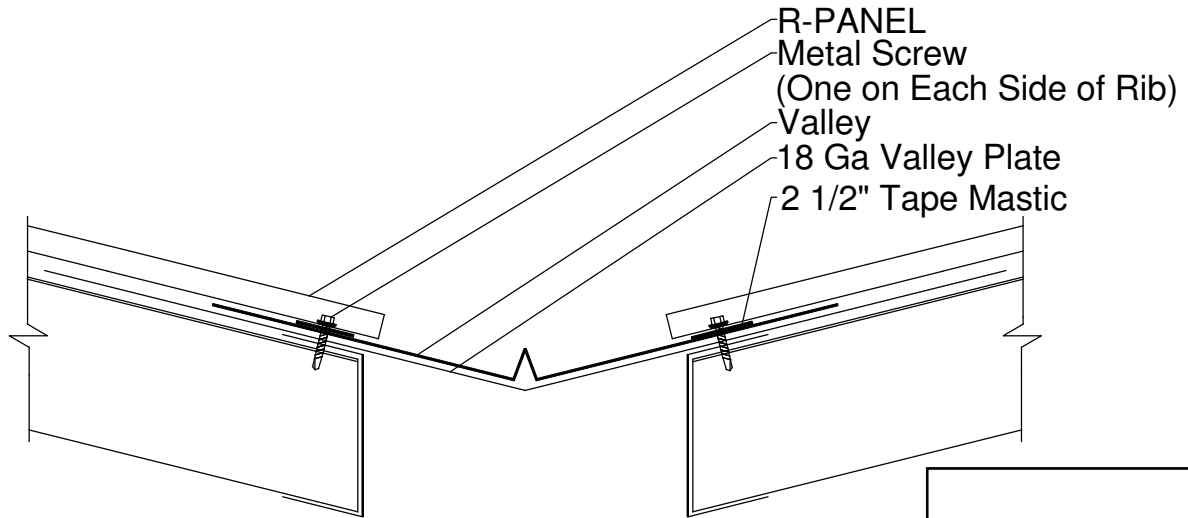


R-PANEL 14" RIDGE



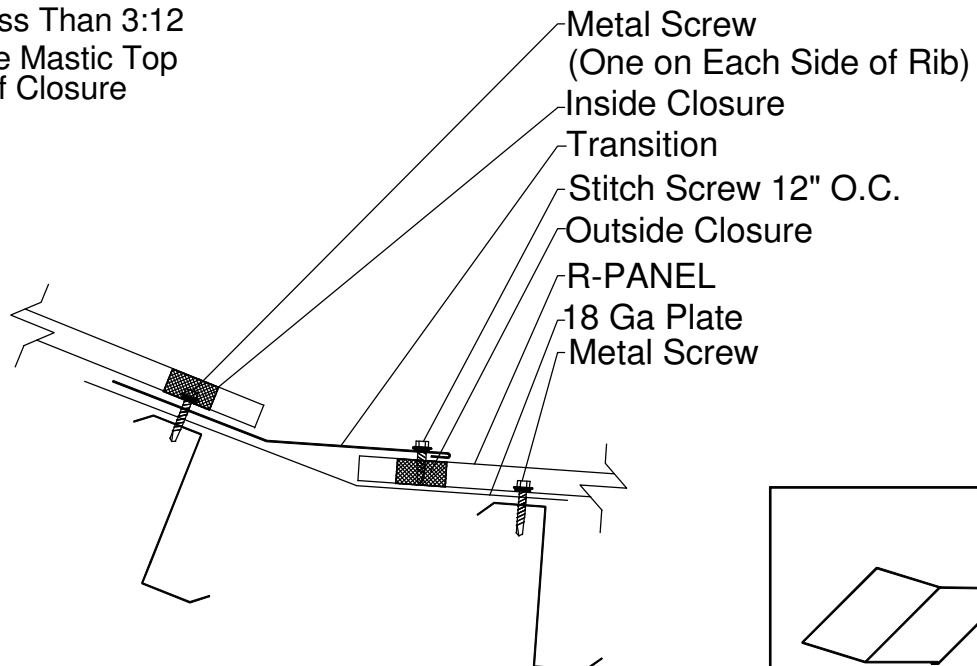
Please note that the drawings in this booklet are for illustration purposes only and may not apply to all buildings and installations.

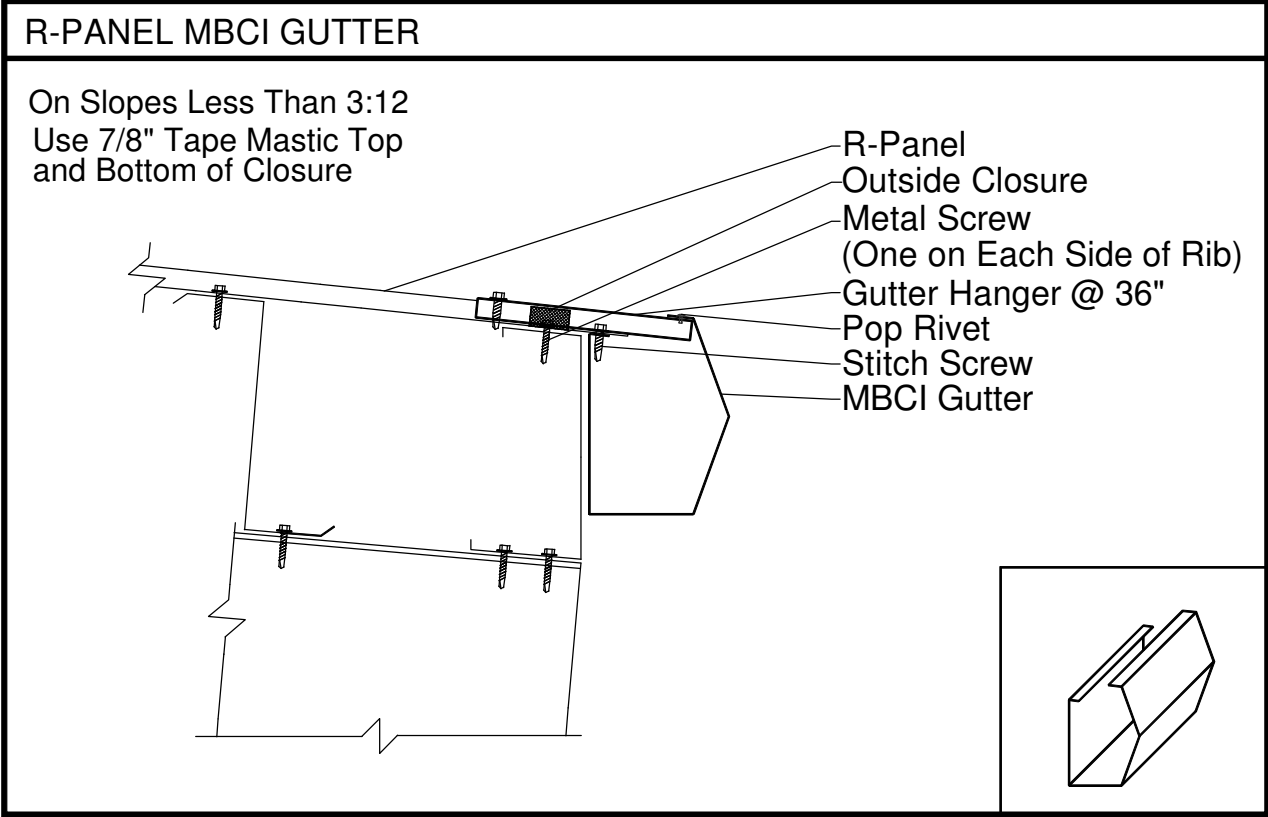
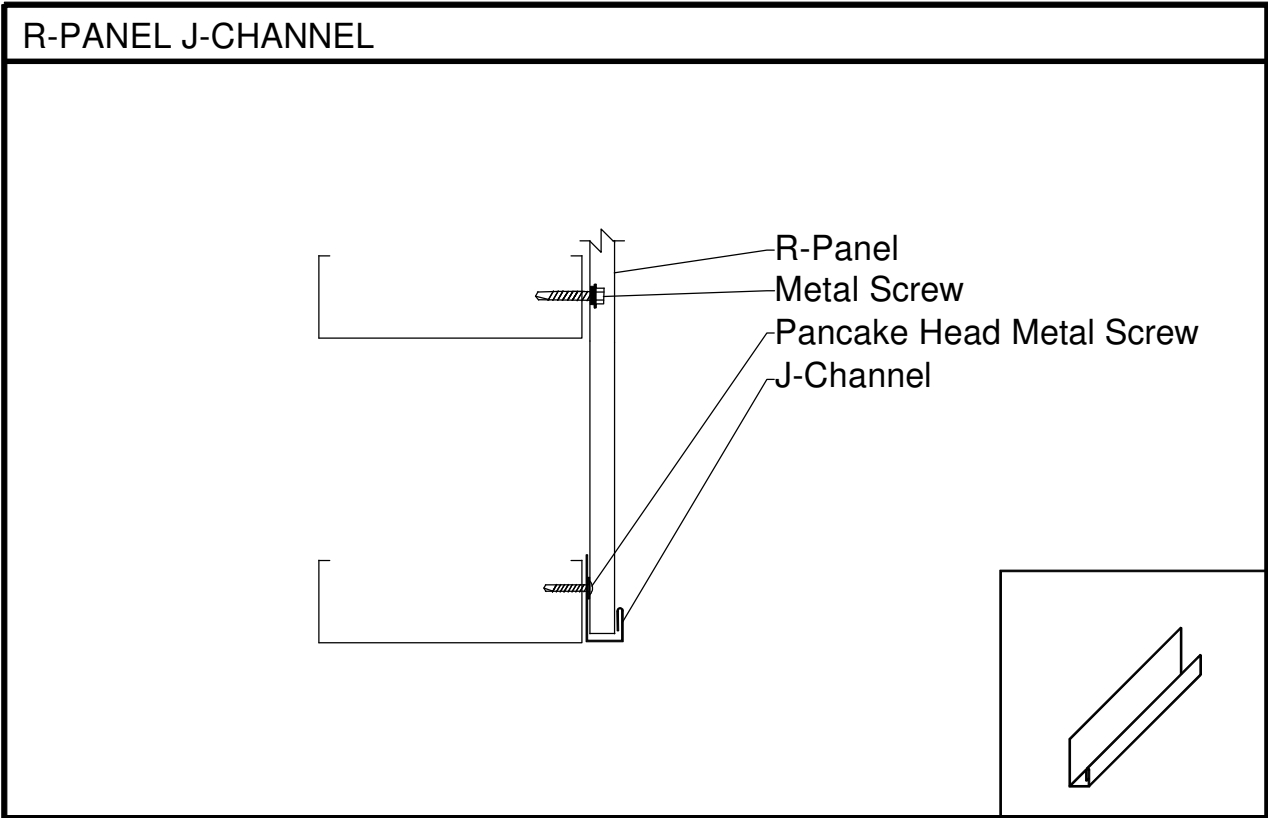
R-PANEL VALLEY



R-PANEL TRANSITION

On Slopes Less Than 3:12
Use 7/8" Tape Mastic Top
and Bottom of Closure





Please note that the drawings in this booklet are for illustration purposes only and may not apply to all buildings and installations.

Metro Metals Trim Details

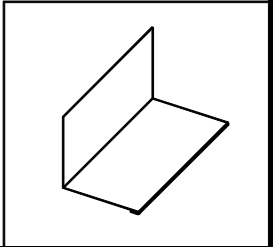
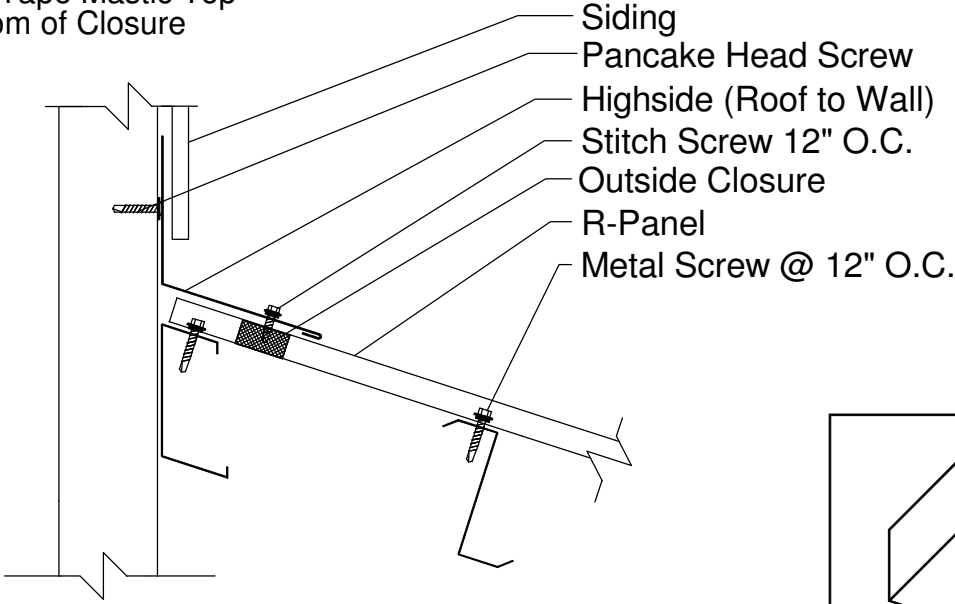
(205) 759-5420

5424 Metro Park Dr-Tuscaloosa, AL 35405

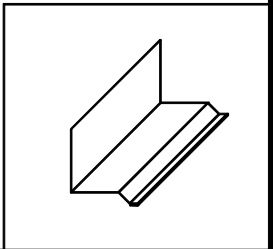
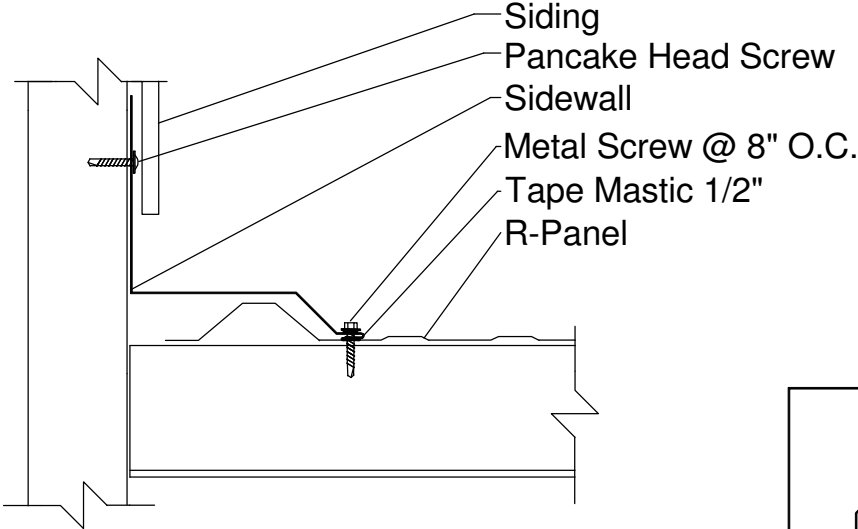


R-PANEL HIGHSIDE DETAIL

On Slopes Less Than 3:12
Use 7/8" Tape Mastic Top
and Bottom of Closure



R-PANEL SIDEWALL DETAIL



Please note that the drawings in this booklet are for illustration purposes only and may not apply to all buildings and installations.

Metro Metals Trim Details

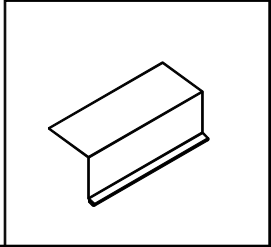
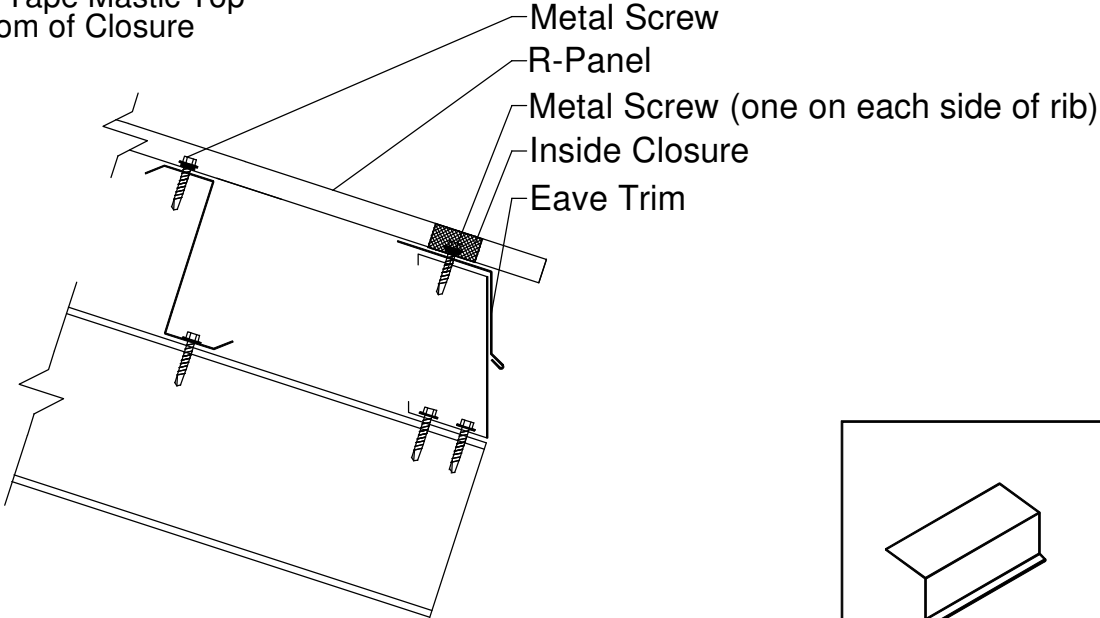
(205) 759-5420

5424 Metro Park Dr-Tuscaloosa, AL 35405

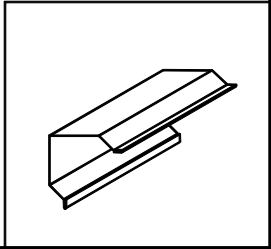
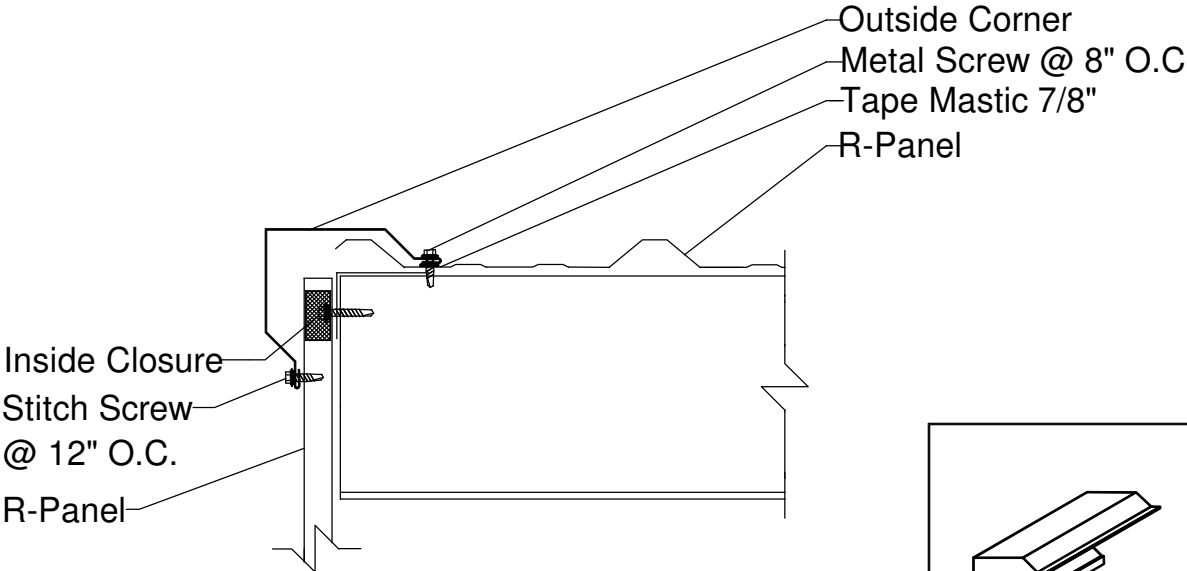


R-PANEL EAVE

On Slopes Less Than 3:12
Use 7/8" Tape Mastic Top
and Bottom of Closure



R-PANEL OUTSIDE CORNER



Please note that the drawings in this booklet are for illustration purposes only and may not apply to all buildings and installations.

Metro Metals Accessories

(205) 759-5420



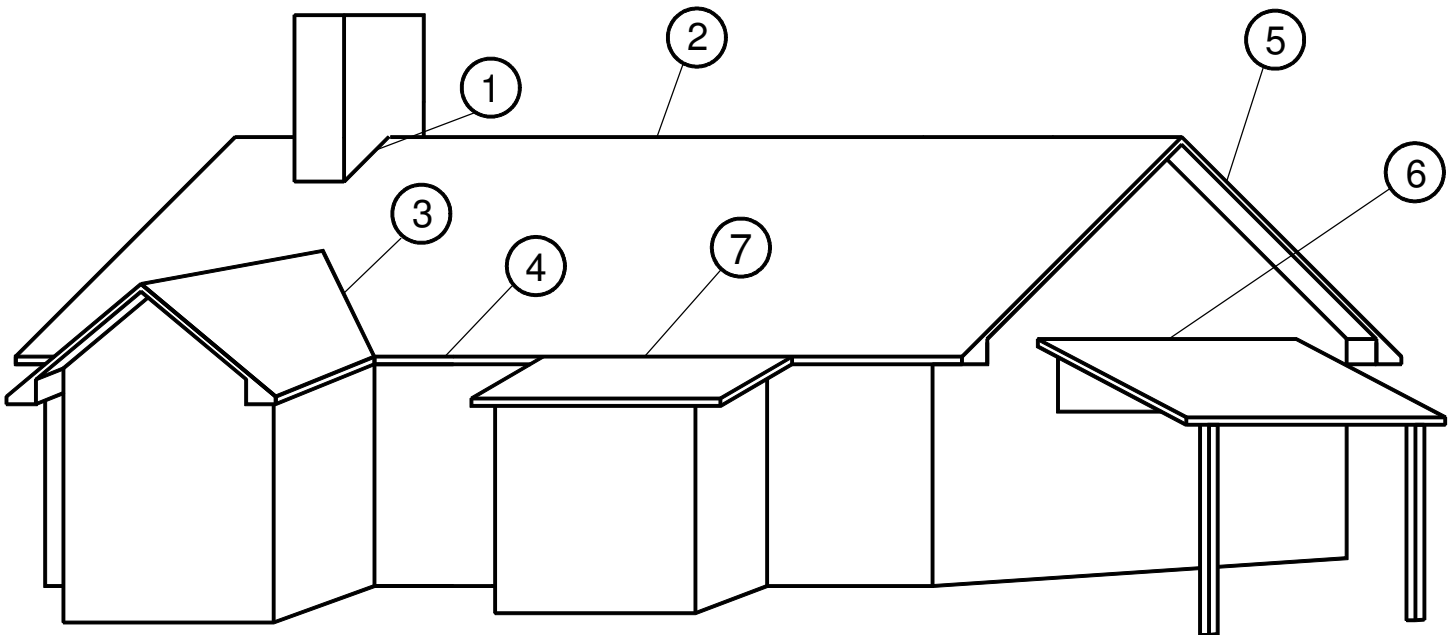
5424 Metro Park Dr-Tuscaloosa, AL 35405

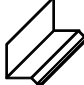
Skylights		Material	Length	Color
		Polycarbonate	10'-0"	Clear, White
		Fiberglass Polycarbonate	12'-0" 12'-0"	White Clear, White
Pipe Flashing	Part #	Pipe Diameter	Part #	Pipe Diameter
	#1	.25" to 2.375"	#6	5" to 9"
	#2	1.75" to 3.25"	#7	6" to 10.5"
	#3	.25" to 5"	#8	7" to 13"
	#4	3" to 6.25"	#9	10" to 19"
	#5	4.25" to 7.5"		
Pipe Flashing with Zipper	Part #	Pipe Diameter		
	#801	.75" to 2.75"		
	#802	2" to 7.25"		
	#803	3.25" to 10"		
Butyl Tape	Width	Length	Thickness	
	2 1/2"	20'	3/16"	
	7/8"	25'	3/16"	
	1/2"	30'	3/16"	
	3/8"	45'	3/32"	
Sealant	Size	Color		
	10oz tube	Clear, White, Gray, Med. Bronze		
Closures		Metro Rib	R-Panel	
	Metro Rib Panel	Outside (solid)	Outside (solid)	
		Inside (solid)	Inside (solid)	
		Outside (vented)	Outside (vented)	
Wood Screws	Size			
	9x1"	1/4" head with bonded neoprene washer		
	9x1.5"	1/4" head with bonded neoprene washer		
	9x2"	1/4" head with bonded neoprene washer		
	8x1"	pancake head without washer		
Metal Screws				
	12x1.25"	5/16" head with bonded neoprene washer		
	14x7/8"	5/16" head with bonded neoprene washer		
	8x1"	pancake head without washer		
	8x1/2"	pancake head without washer		


Please note that the drawings in this booklet are for illustration purposes only and may not apply to all buildings and installations.

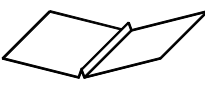
Metro Metals Metro Rib Standard Trim

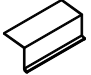
(205) 759-5420
5424 Metro Park Dr-Tuscaloosa, AL 35405




1. Sidewall 

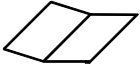
2. Ridge 

3. Valley 

4. Eave 

5. Outside Corner (Rake) 

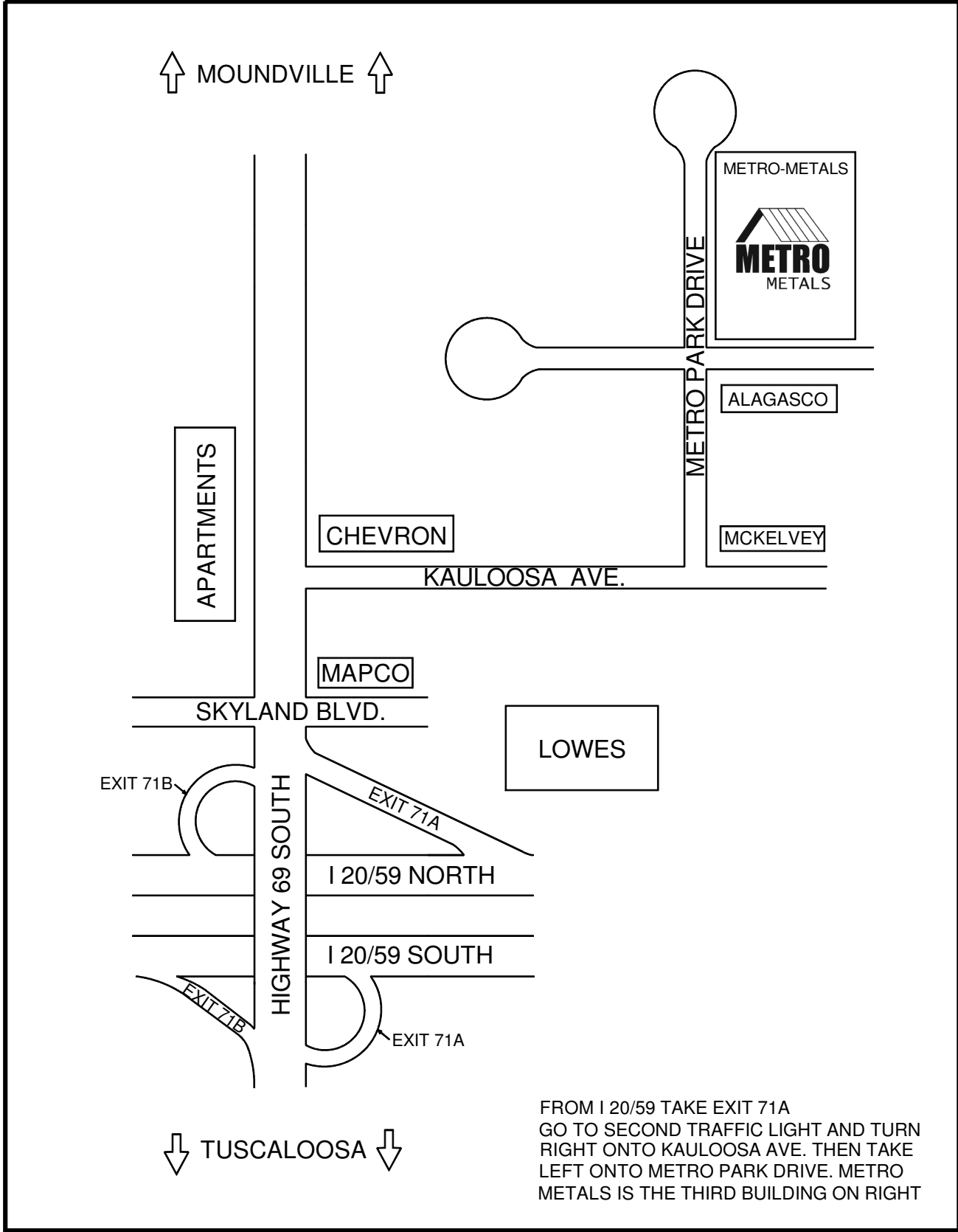
6. Highside 

7. Transition 

Metro Metals

(205) 759-5420

5424 Metro Park Dr-Tuscaloosa, AL 35405



FROM I 20/59 TAKE EXIT 71A
GO TO SECOND TRAFFIC LIGHT AND TURN
RIGHT ONTO KAULOOSA AVE. THEN TAKE
LEFT ONTO METRO PARK DRIVE. METRO
METALS IS THE THIRD BUILDING ON RIGHT