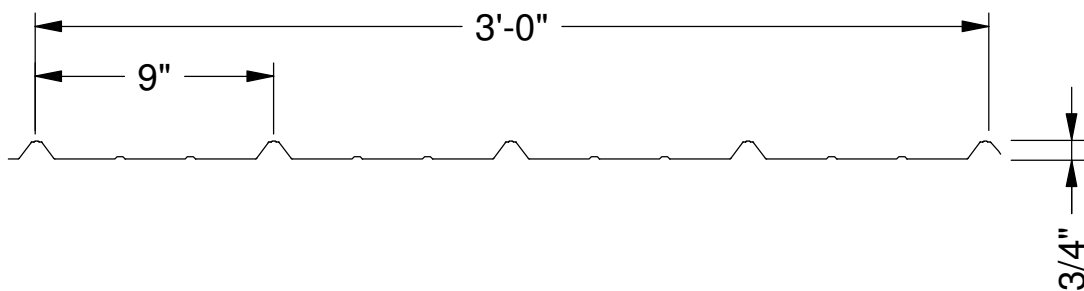
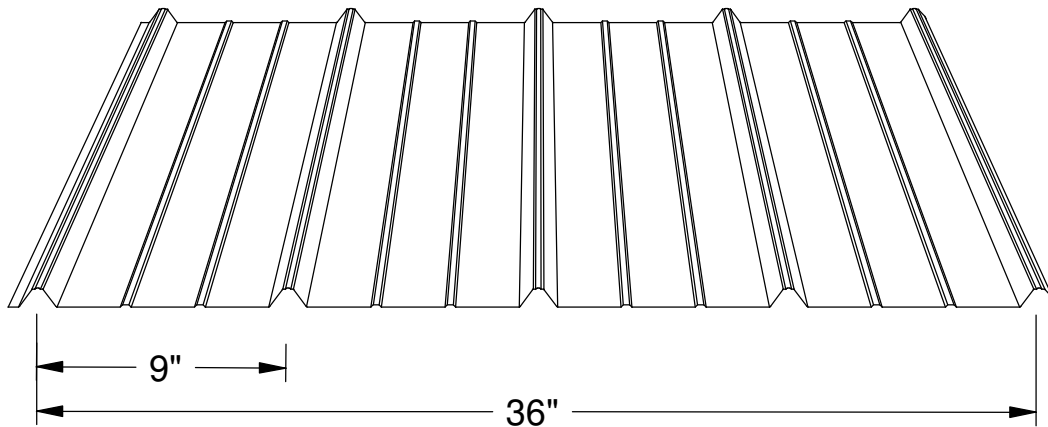


Metro Rib Panel



- 29 Ga Galvalume Plus
- 29 Ga Painted Siliconized Polyester-16 Colors
- 26 Ga Painted Siliconized Polyester-15 Colors
- 26 Ga Galvalume Plus

Minimum Slope 3:12



MANUFACTURERS RECOMMENDED METAL ROOFING

FASTENING GUIDE FOR METRO RIB PANEL

5424 METRO PARK DRIVE
TUSCALOOSA, AL. 35405

P: (205)759-5420

F: (205)345-0639

WWW.METRO-METALS.COM

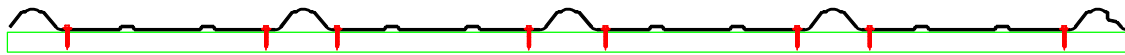
ANNA@METRO-METALS.COM

WITH <35' MEAN ROOF HEIGHT-3/12 TO 7/12 PITCH

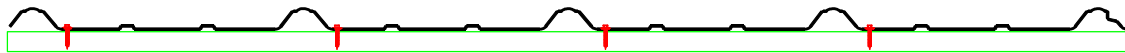
FASTENING SCHEDULE FOR FASTNER ROW SPACING

	TYPE	PLACEMENT TO	FASTNER SIZE	WIND SPEED ZONE					
				90		100		110	
				ON CENTER SPACING	TRIM AREAS	ON CENTER SPACING	TRIM AREAS	ON CENTER SPACING	TRIM AREAS
ZONE 1	WOOD GRIP SCREW	WOOD	#10x1-1/2"	30"	9"	30"	6"	24"	6"
	METAL FAST STITCH	16 AND 18 GA STEEL	#12x1-1/4"	30"	9"	30"	6"	24"	6"
20 GA STEEL		#14x7/8"							
ZONE 2&3	WOOD GRIP SCREW	WOOD	#10x1-1/2"	30"	9"	24"	6"	12"	6"
	METAL FAST STITCH	16 AND 18 GA STEEL	#12x1-1/4"	30"	9"	24"	6"	12"	6"
20 GA STEEL		#14x7/8"							

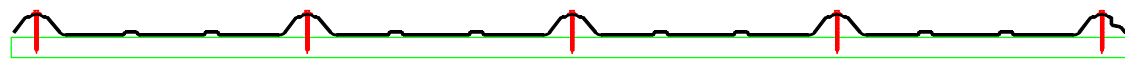
TRIM AREAS REFER TO THE FASTNERS FOR THE RIDGE, HIP AND RAKE TRIM.



FASTENER PLACEMENT FOR EAVES AND ENDLAPS

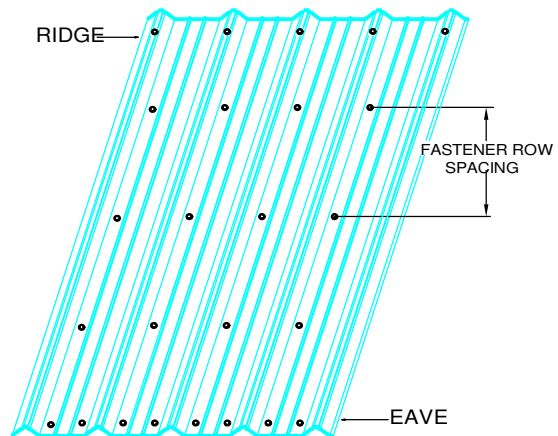
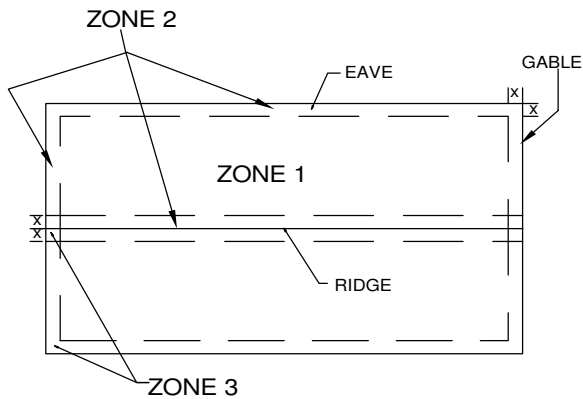


FASTENER PLACEMENT FOR INTERMEDIATE ROWS



FASTENER PLACEMENT FOR RIDGE

ALTERNATE FASTENER PLACEMENT FOR INTERMEDIATE ROWS



WIDTH OF EDGE STRIP "x" IS THE SMALLER OF
 1. 10% OF LEAST HORIZONTAL DIMENSION OF BUILDING.
 2. 40% OF EAVE HEIGHT BUT NOT LESS THAN:
 1) 4% OF LEAST HORIZONTAL DIMENSION OF BUILDING
 2) THREE FEET

Please note that the drawings in this booklet are for illustration purposes only and may not apply to all buildings and installations.

Metro Metals

Metro Rib Standard Trim

(205) 759-5420



5424 Metro Park Dr-Tuscaloosa, AL 35405

	Trim Item	Gauge	Finish
	Metro Rib Highside	26	Acrylic Coated Galvalume Siliconized Polyester
	Metro Rib Sidewall	26	Acrylic Coated Galvalume Siliconized Polyester
	Metro Rib Eave	26	Acrylic Coated Galvalume Siliconized Polyester
	Metro Rib Outside Corner	26	Acrylic Coated Galvalume Siliconized Polyester
	Metro Rib Hang on Gutter	26	Acrylic Coated Galvalume Siliconized Polyester

Please note that the drawings in this booklet are for illustration purposes only and may not apply to all buildings and installations.

Metro Metals

Metro Rib Standard Trim

(205) 759-5420



5424 Metro Park Dr-Tuscaloosa, AL 35405

	Trim Item	Gauge	Finish
	Metro Rib 20" Ridge	26	Acrylic Coated Galvalume Siliconized Polyester
	Metro Rib 14" Ridge	26	Acrylic Coated Galvalume Siliconized Polyester
	Metro Rib Valley	26	Acrylic Coated Galvalume Siliconized Polyester
	Metro Rib Transition	26	Acrylic Coated Galvalume Siliconized Polyester
	Metro Rib J-Channel	26	Acrylic Coated Galvalume Siliconized Polyester

Please note that the drawings in this booklet are for illustration purposes only and may not apply to all buildings and installations.

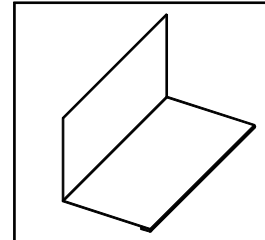
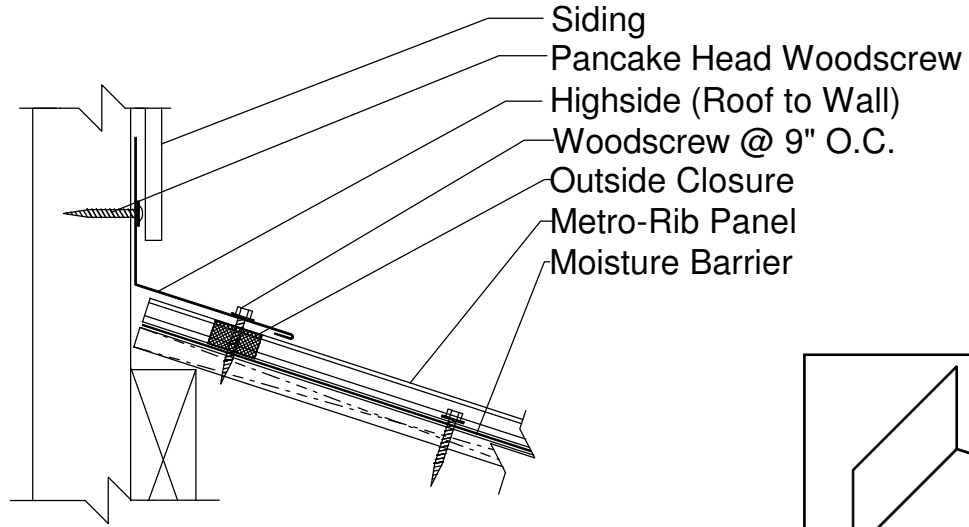
Metro Metals Trim Details

(205) 759-5420

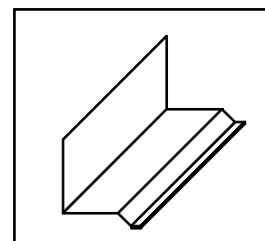
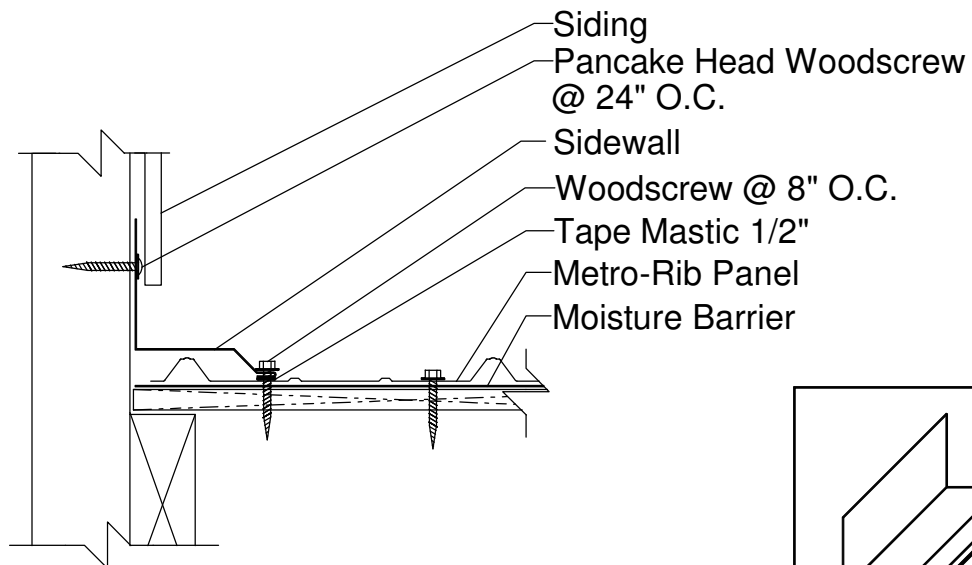
5424 Metro Park Dr-Tuscaloosa, AL 35405



METRO RIB HIGHSIDE DETAIL



METRO RIB SIDEWALL DETAIL



Please note that the drawings in this booklet are for illustration purposes only and may not apply to all buildings and installations.

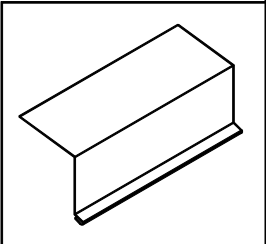
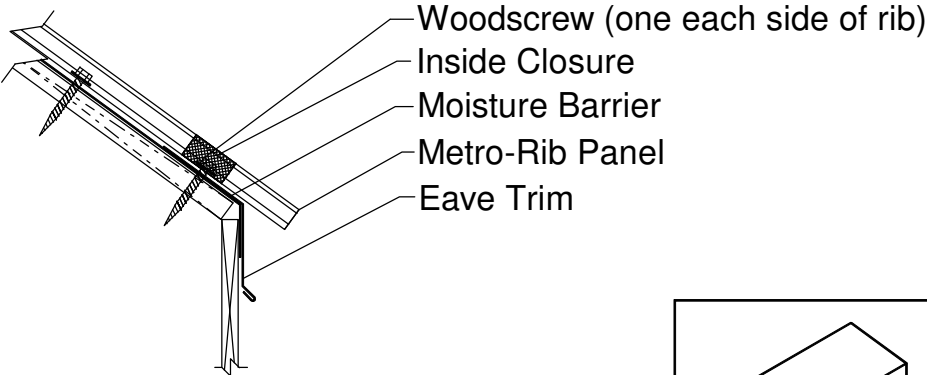
Metro Metals Trim Details

(205) 759-5420

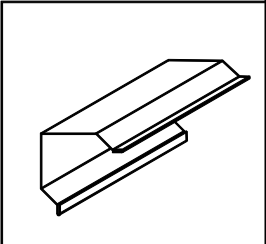
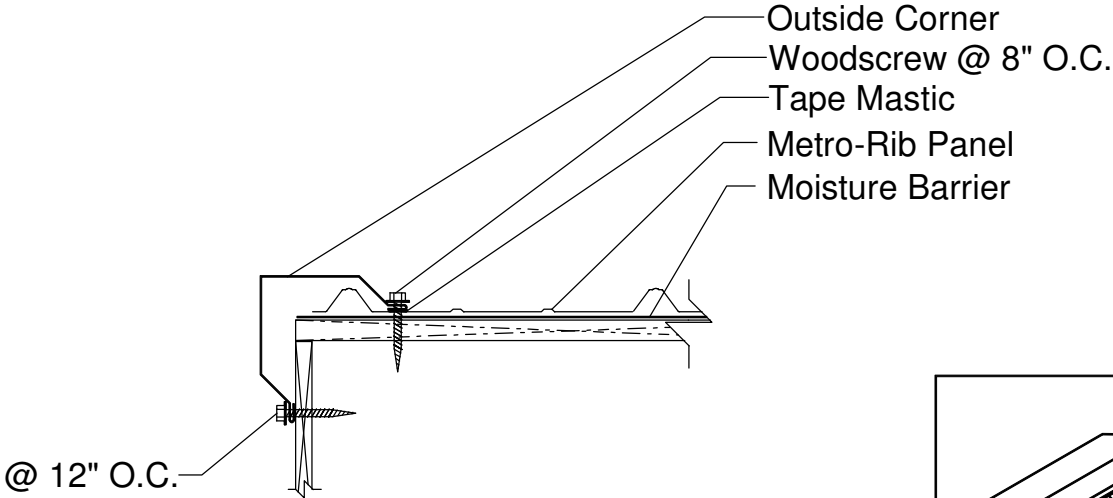
5424 Metro Park Dr-Tuscaloosa, AL 35405



METRO RIB EAVE



METRO RIB OUTSIDE CORNER



Please note that the drawings in this booklet are for illustration purposes only and may not apply to all buildings and installations.

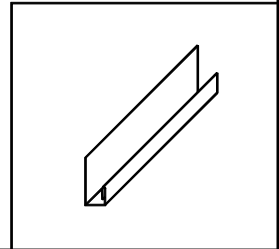
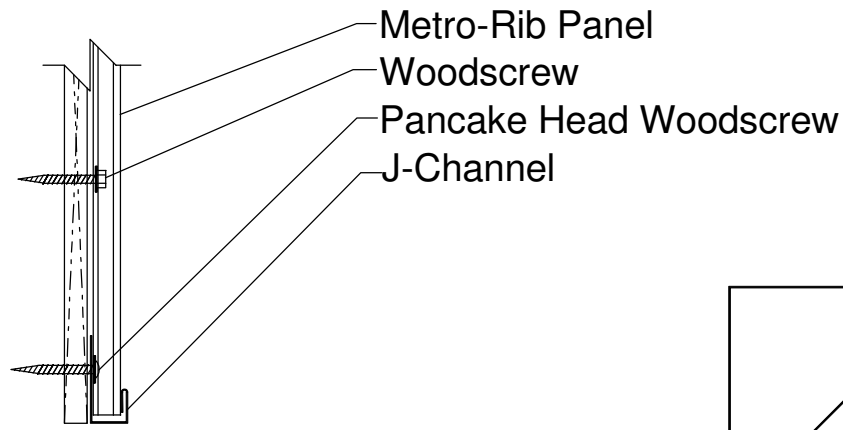
Metro Metals Trim Details

(205) 759-5420

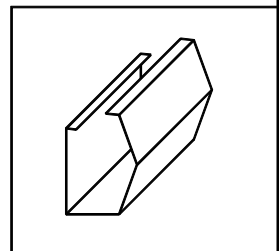
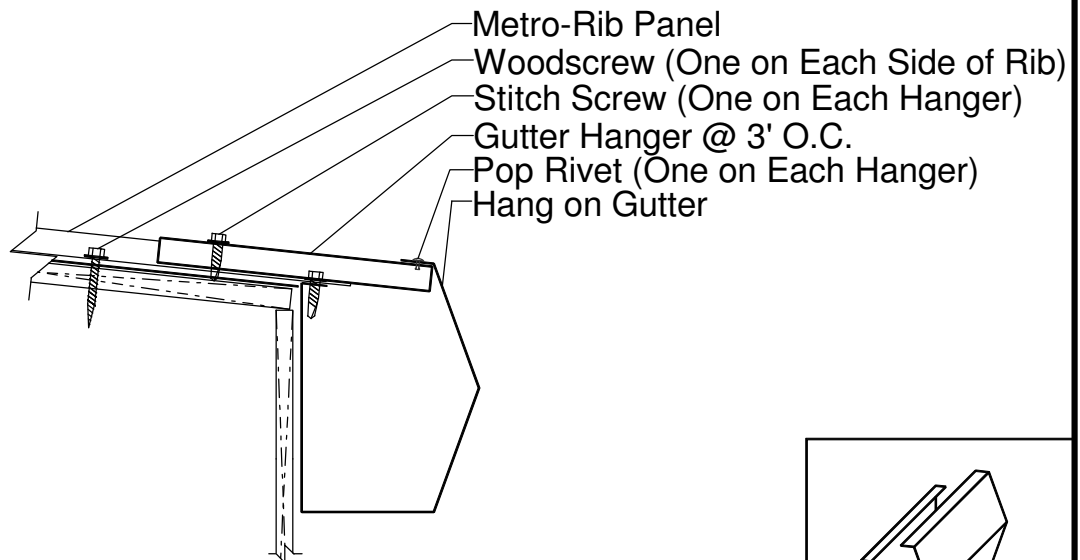
5424 Metro Park Dr-Tuscaloosa, AL 35405



METRO RIB J-CHANNEL



Hang on Gutter



Please note that the drawings in this booklet are for illustration purposes only and may not apply to all buildings and installations.

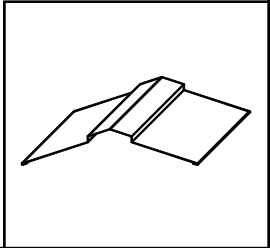
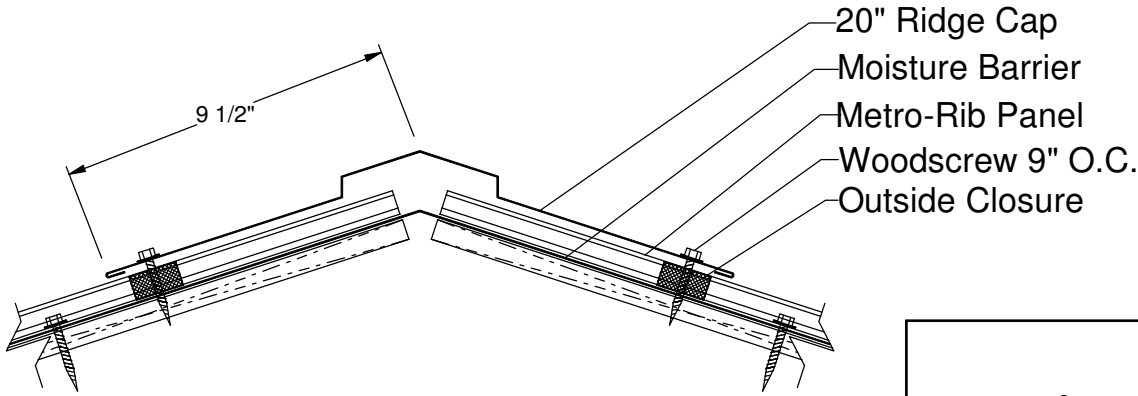
Metro Metals Trim Details

(205) 759-5420

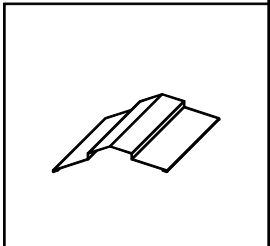
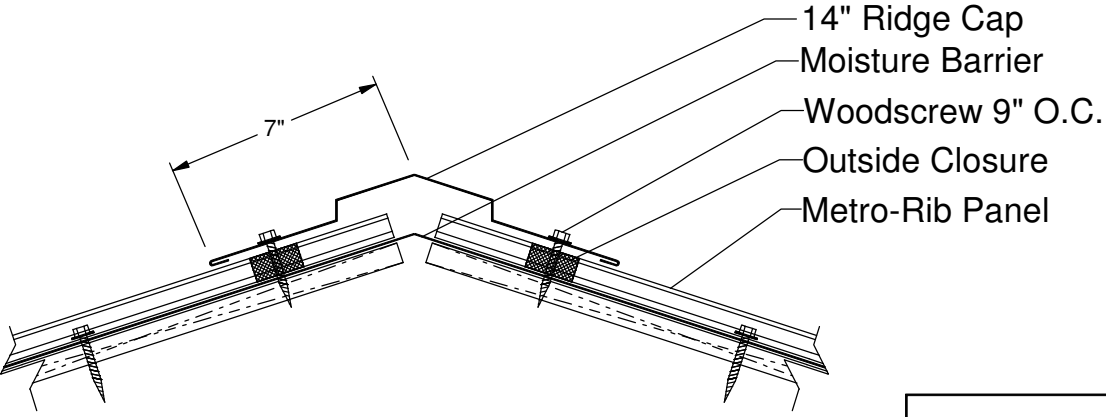
5424 Metro Park Dr-Tuscaloosa, AL 35405



METRO RIB 10X10 RIDGE - NON VENTED



METRO RIB 7X7 RIDGE - NON VENTED



Please note that the drawings in this booklet are for illustration purposes only and may not apply to all buildings and installations.

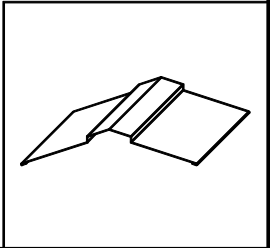
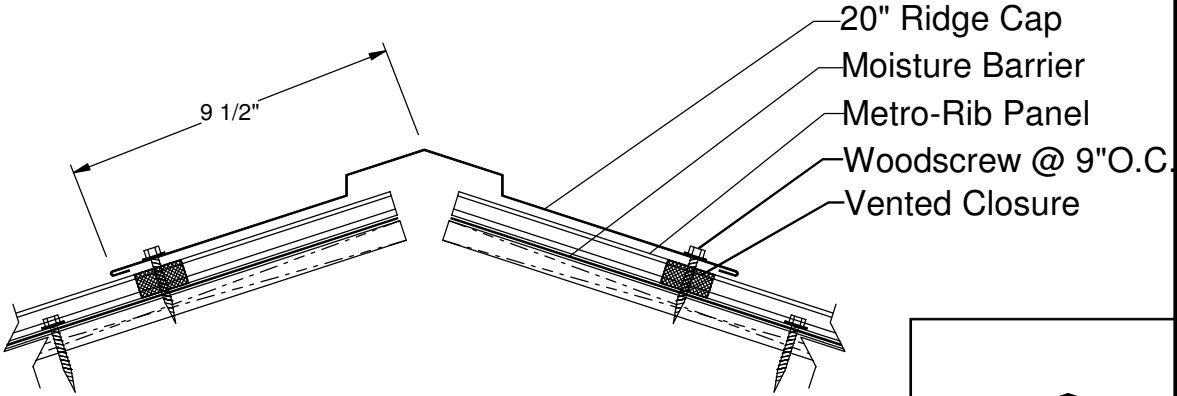
Metro Metals Trim Details

(205) 759-5420

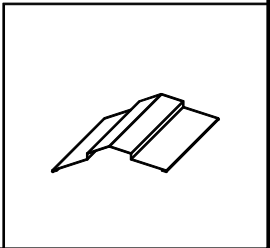
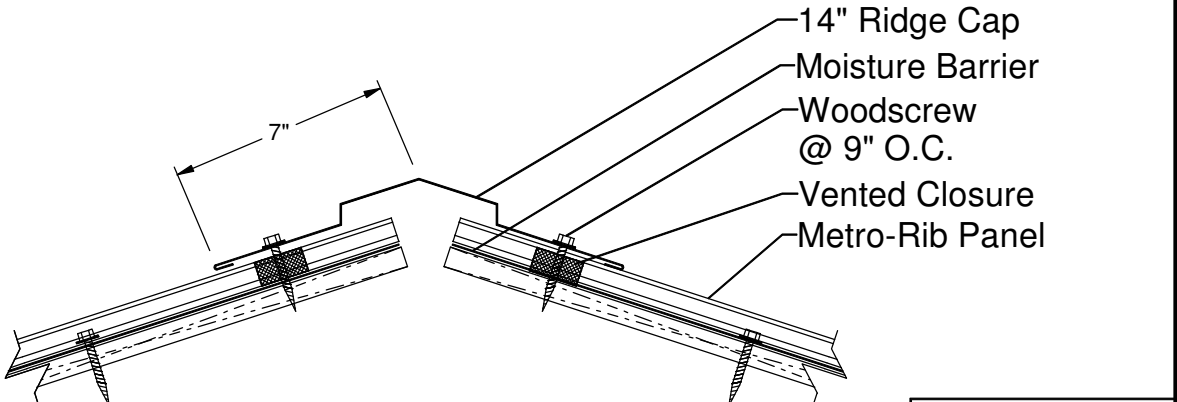
5424 Metro Park Dr-Tuscaloosa, AL 35405



METRO RIB 10X10 RIDGE - VENTED



METRO RIB 7X7 RIDGE - VENTED



Please note that the drawings in this booklet are for illustration purposes only and may not apply to all buildings and installations.

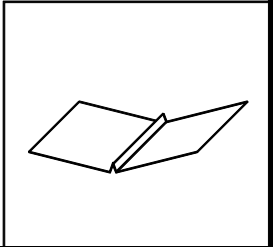
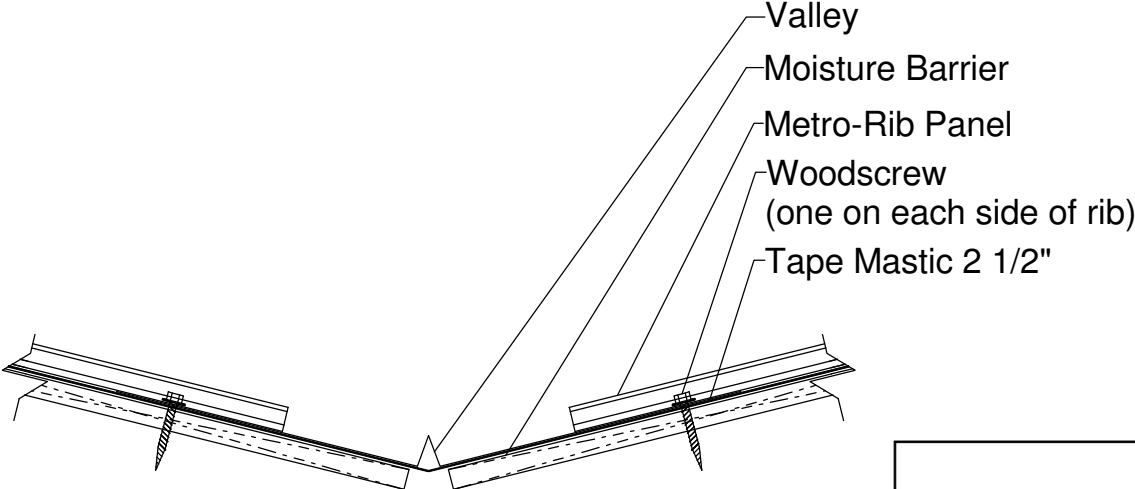
Metro Metals Trim Details

(205) 759-5420

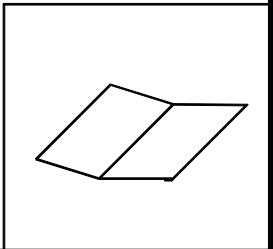
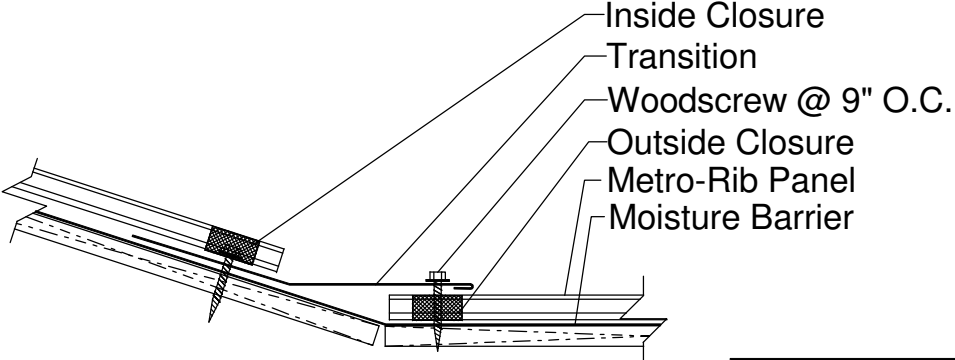
5424 Metro Park Dr-Tuscaloosa, AL 35405



METRO RIB VALLEY



METRO RIB TRANSITION



Please note that the drawings in this booklet are for illustration purposes only and may not apply to all buildings and installations.

Metro Metals Accessories

(205) 759-5420



5424 Metro Park Dr-Tuscaloosa, AL 35405

Skylights		Material	Length	Color
		Polycarbonate	10'-0"	Clear, White
		Fiberglass Polycarbonate	12'-0" 12'-0"	White Clear, White
Pipe Flashing	Part #	Pipe Diameter	Part #	Pipe Diameter
	#1	.25" to 2.375"	#6	5" to 9"
	#2	1.75" to 3.25"	#7	6" to 10.5"
	#3	.25" to 5"	#8	7" to 13"
	#4	3" to 6.25"	#9	10" to 19"
	#5	4.25" to 7.5"		
Pipe Flashing with Zipper	Part #	Pipe Diameter		
	#801	.75" to 2.75"		
	#802	2" to 7.25"		
	#803	3.25" to 10"		
Butyl Tape	Width	Length	Thickness	
	2 1/2"	20'	3/16"	
	7/8"	25'	3/16"	
	1/2"	30'	3/16"	
	3/8"	45'	3/32"	
Sealant	Size	Color		
	10oz tube	Clear, White, Gray, Med. Bronze		
Closures		Metro Rib	R-Panel	
	Metro Rib Panel	Outside (solid)	Outside (solid)	
	R-Panel	Inside (solid)	Inside (solid)	
		Outside (vented)	Outside (vented)	
Wood Screws	Size			
	9x1"	1/4" head with bonded neoprene washer		
	9x1.5"	1/4" head with bonded neoprene washer		
	9x2"	1/4" head with bonded neoprene washer		
	8x1"	pancake head without washer		
Metal Screws				
	12x1.25"	5/16" head with bonded neoprene washer		
	14x7/8"	5/16" head with bonded neoprene washer		
	8x1"	pancake head without washer		
	8x1/2"	pancake head without washer		

Please note that the drawings in this booklet are for illustration purposes only and may not apply to all buildings and installations.